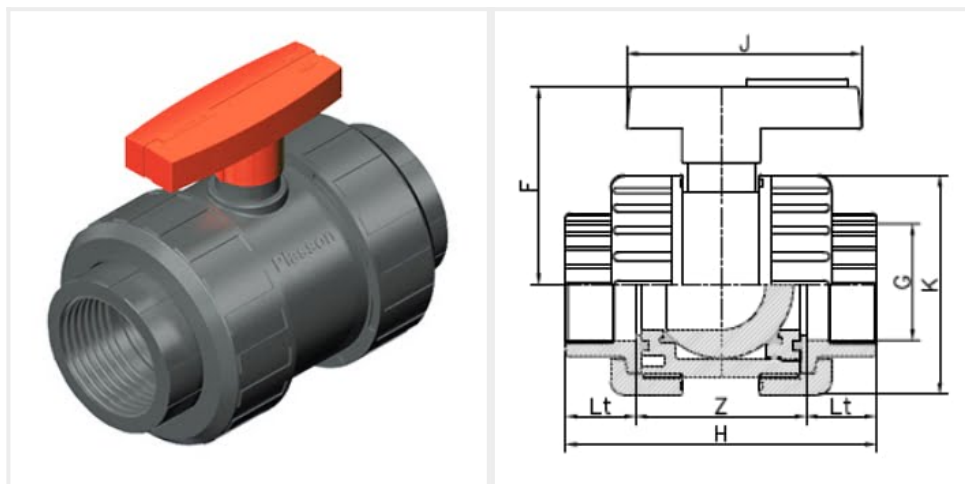


FISA TEHNICA

Bistop Union dublu FI

Categorie: Tubulatura si fittinguri UPVC



Cod: 112410-112710*
112410
112710

Cod	d [mm]	DN [mm]	F	G	h [mm]	J	K	I [mm]	Lt	Z [mm]	greutate [g]
11241003	10	10	45	3/8"	71	65	45		12	47	95
11241005	15	15	45	1/2"	75	65	45		15	45	105
11241007	20	20	54	3/4"	89	73	55		16	57	204
11241010	25	25	66	1"	102	78	66		19	64	284
11241013	32	32	74	1 1/4"	120	96	80		22	76	479
11241015	40	40	86	1 1/2"	142	110	96		22	98	681
11241020	50	50	106	2"	169	129	118		26	117	1439
11241025 75	65	65	128	2 1/2"	215	132	139	44		137	2360
11241030 90	80	80	146	3"	250	152	165	51		148	3250
11241040 110	100	100	173	4"	295	185	207	61		173	6000
11271003	10	10	45	3/8"	71	65	45		12	47	95
11271005	15	15	45	1/2"	75	65	45		15	45	105
11271007	20	20	54	3/4"	89	73	55		16	57	204

FISA TEHNICA

11271010	25	66 1"	102	78 66	19 64	284
11271013	32	74 1 1/4"	120	96 80	22 76	479
11271015	40	86 1 1/2"	142	110 96	22 98	681
11271020	50	106 2"	169	129 118	26 117	1439
11271025 75	65	128 2 1/2"	215	132 139 44	137	2000
11271030 90	80	146 3"	250	152 165 51	148	3250
11271040 110	100	173 4"	295	185 207 61	173	6000

*cu garnitura Oring FPM