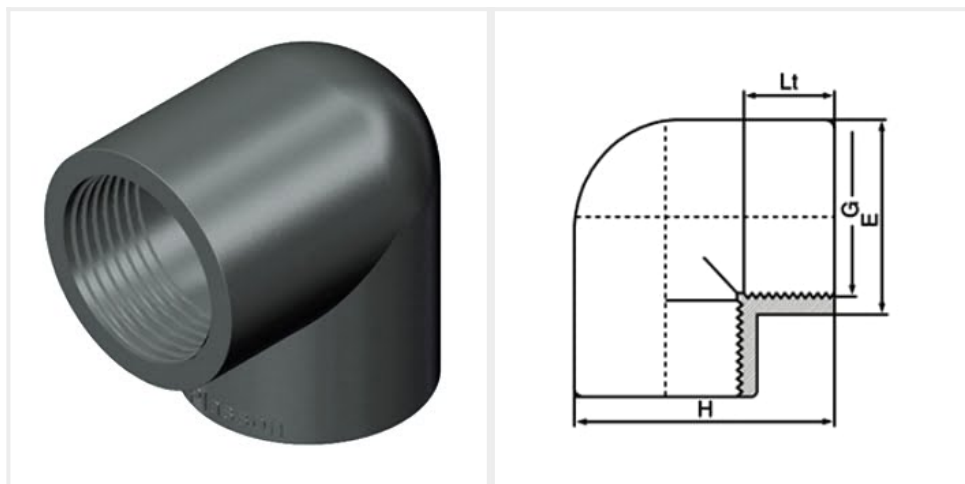


FISA TEHNICA

Cot 90° - 2xFI

Categorie: Tubulatura si fittinguri UPVC



Cod:
050501

e [mm]	G	h [mm]	H [mm]	Lt	buc/cutie	greutate [g]
22	3/8"	35	35	13	1800	13
27	1/2"	42	42	17	1000	18
33	3/4"	50	50	18	600	30
41	1"	60	60	20	350	52
50	1 1/4"	75	75	22	200	95
61	1 1/2"	90	90	22	130	180
77	2"	111	111	26	72	368
90	2 1/2"	130	130	29	50	508
108	3"	154	154	33	30	861
132	4"	186	186	40	17	1225