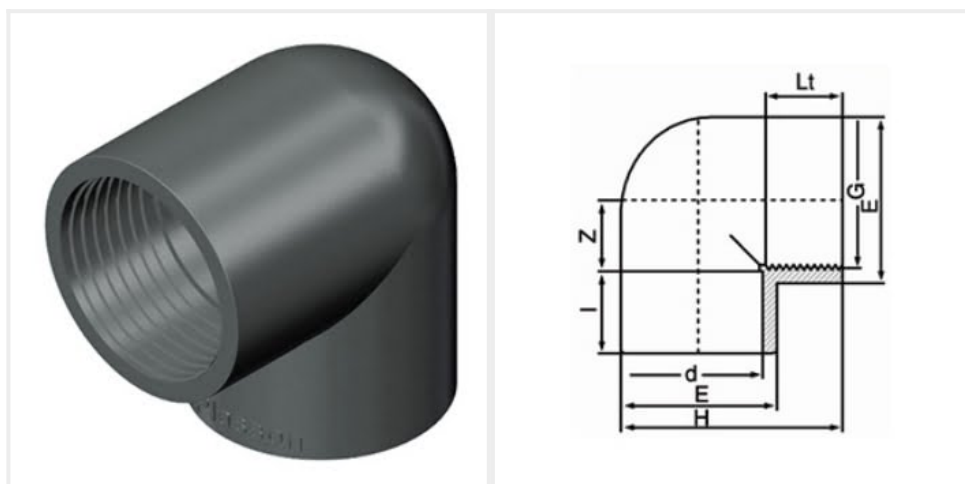


FISA TEHNICA

Cot 90° + FI

Categorie: Tubulatura si fittinguri UPVC



Cod:
050502

D [mm]	G	buc/cutie	greutate [g]
16	3/8"	2000	12
20	1/2"	1000	18
25	3/4"	600	30
32	1"	350	50
40	1 1/4"	200	78
50	1 1/2"	130	165
63	2"	72	330
75	2 1/2"	50	469
90	3"	30	775
110	4"	17	1230