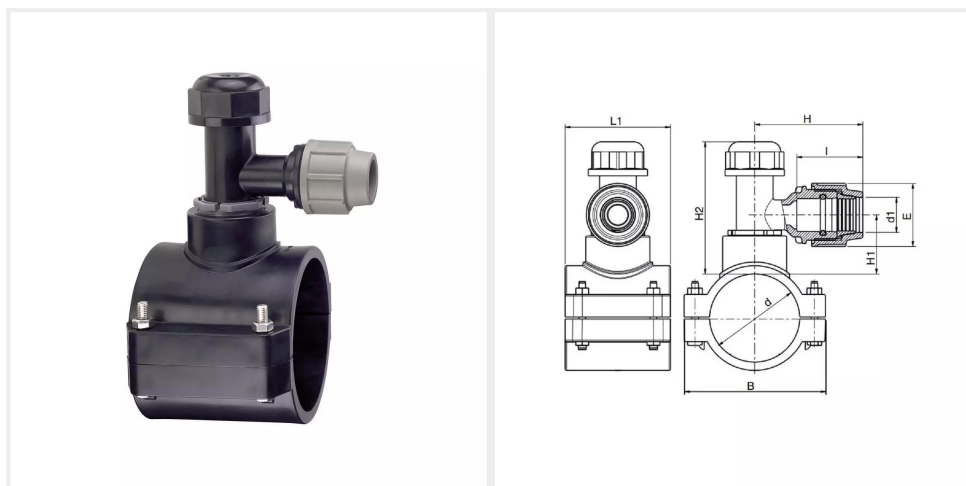


FISA TEHNICA

Teu bransament mecanic compresiune

Categorie: Coliere si teuri bransament compresiune Fitinguri compresiune PN16



Cod:
16540

* L1 - Lungime de-a lungul tevii

d mm	d1 mm	E mm	H mm	H1 mm	H2 mm	l	l1 mm	Material surub	Greutate g	Buc/punga	Buc/cutie
63	25	54	105	57	130	58	84	Otel inoxidabil	584	1	40
63	32	64	109	57	130	67	84	Otel inoxidabil	614	1	40
75	25	54	105	57	130	58	98	Otel inoxidabil	700	1	30
75	32	64	109	57	130	67	98	Otel inoxidabil	725	1	30
90	25	54	105	58	131	58	105	Otel inoxidabil	761	1	25
90	32	64	109	58	131	67	105	Otel inoxidabil	780	1	25
110	25	54	105	59	132	58	116	Otel inoxidabil	872	1	20
110	32	64	109	59	132	67	116	Otel inoxidabil	902	1	20
125	25	54	105	58	131	58	124	Otel inoxidabil	1058	1	16
125	32	64	109	58	131	67	124	Otel inoxidabil	1088	1	16
140	25	54	105	59	132	58	136	Otel inoxidabil	1228	1	14
140	32	64	109	59	132	67	136	Otel inoxidabil	1228	1	14
160	25	54	105	59	132	58	145	Otel inoxidabil	1370	1	10
160	32	64	109	59	132	67	145	Otel inoxidabil	1400	1	10
180	25	54	105	60	133	58	154	Otel inoxidabil	1606	1	8
180	32	64	109	60	133	67	154	Otel inoxidabil	1640	1	8